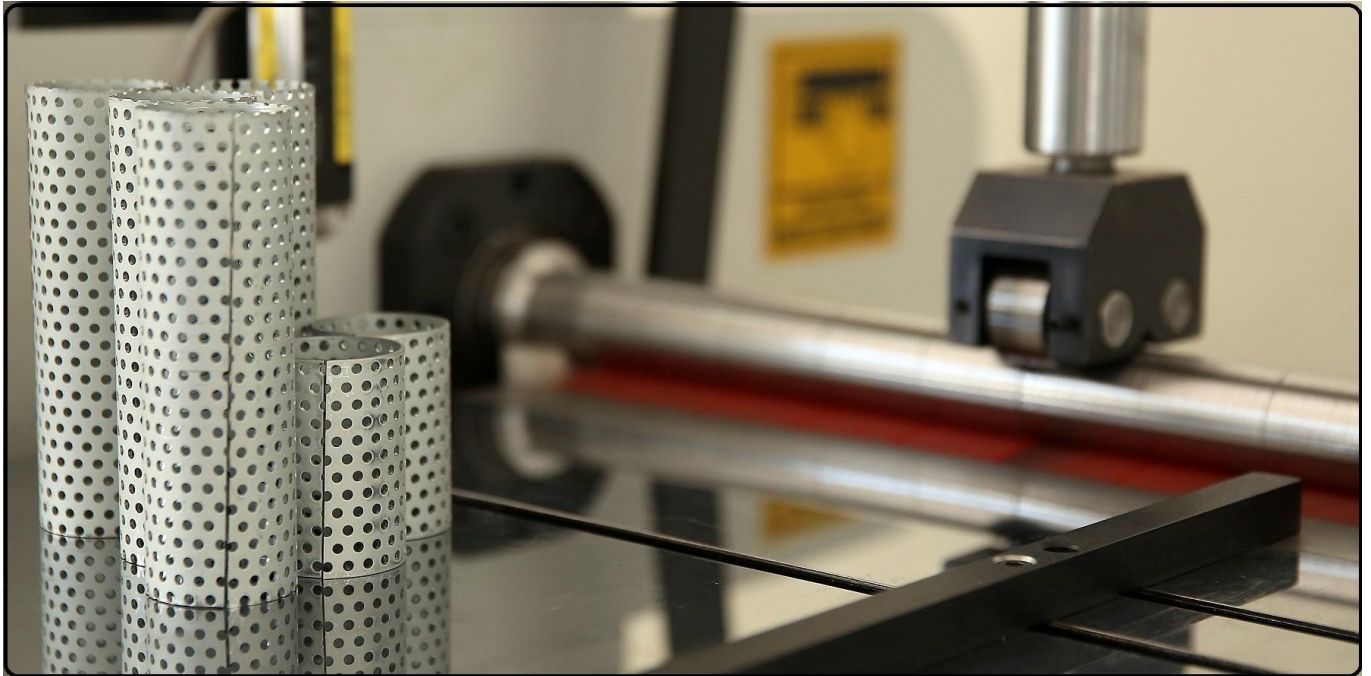


2 Roll Hydraulic Plate Bending Machine (2-BT2)

Machine in action, please check the following link → <https://youtu.be/gKvpF45XhkE>

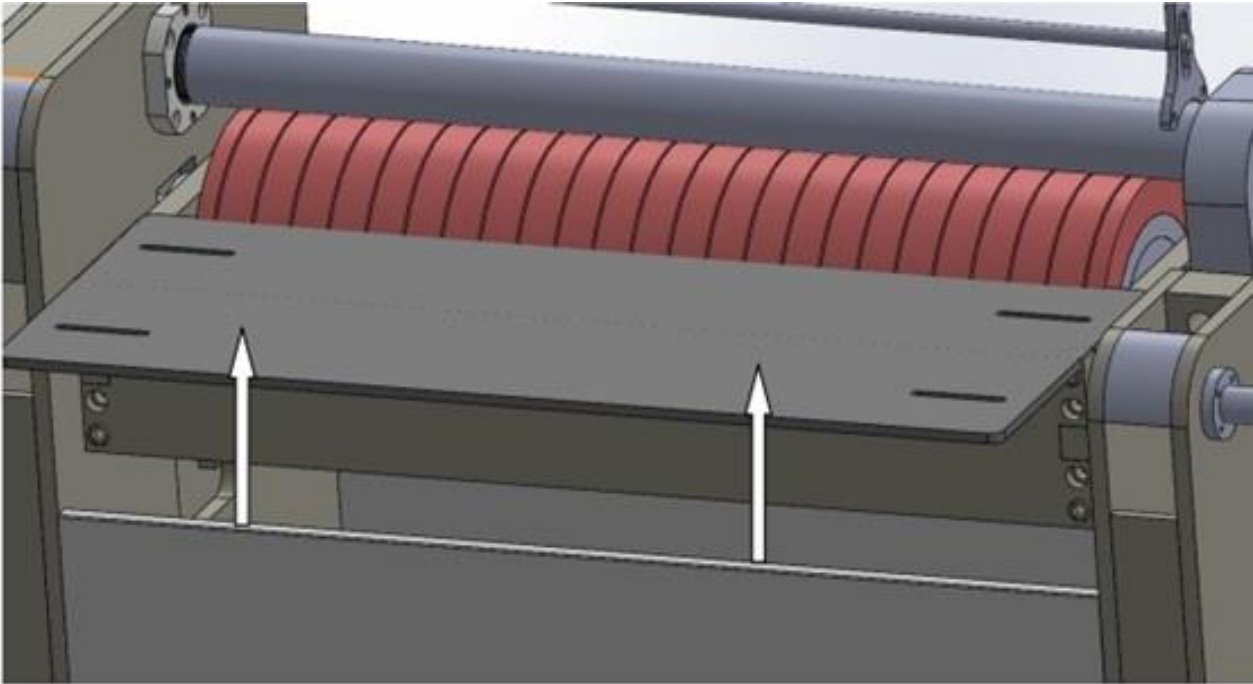


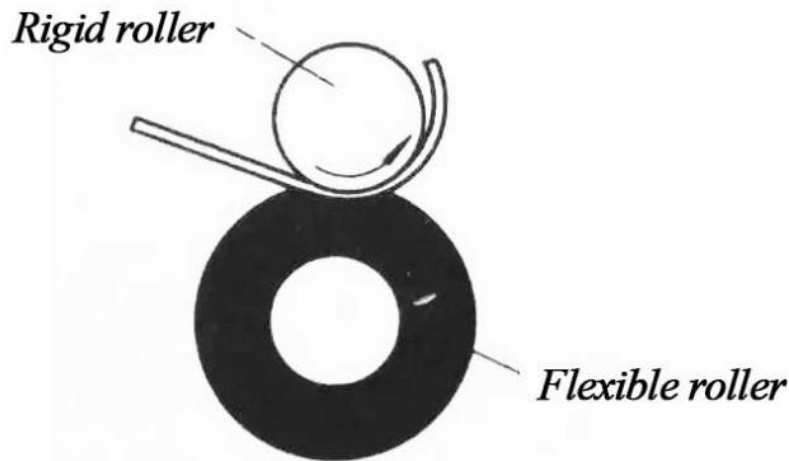
2 BT		Technical Specification								
MODEL	Bending	Bending	Top Roll	Urethane roll	Motor	Working	Length	Width	Height	Weight
	Length	Capacity	Roll Diameter	Roll Diameter	Power	Speed				
	mm	mm	mm	mm	kw	m\min.				
600-70	600	2	70	250	4	5	1600	750	1200	950
1050-80	1050	2	80	250	4	5	2800	750	1200	1400
1050-90	1050	2,5	90	250	4	5	2800	750	1200	1500
1050-100	1050	3	100	250	4	5	2800	750	1200	1600
1250-100	1250	2,5	100	250	4	5	3000	800	1200	1800
1250-110	1250	3	110	250	4	5	3000	800	1200	2000
1550-120	1550	4	120	300	5,5	5	3200	900	1200	2500
2050-180	2050	4	180	300	10	5	3800	1100	1200	3500





Feeding table





2 roller of plate bending

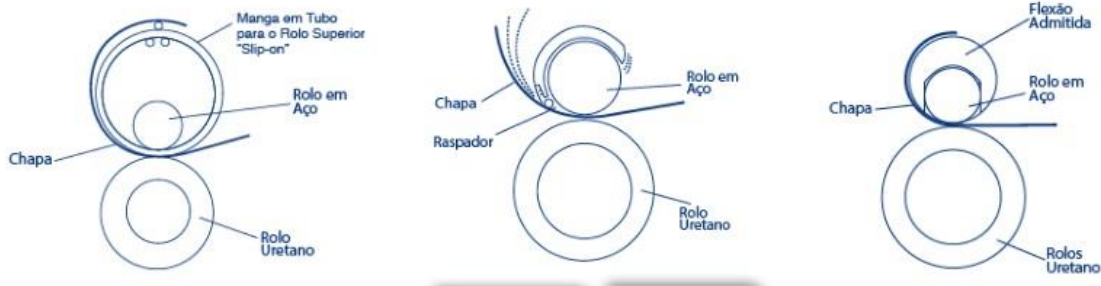
Working Principle of the 2-Roller Bending Machine

The 2-roller bending machine operates on a straightforward yet effective principle. It uses two rollers, the upper roller (also called the bending roller) and the lower roller (known as the pinch roller or the idler roller), to gradually bend the metal sheet or plate between them. The upper roller exerts downward pressure on the sheet while the lower roller provides support and controls the curvature of the bend.

The bending process in the 2-roller machine involves the following steps:

- Positioning:** The metal sheet or plate is accurately positioned between the upper and lower rollers, ensuring that the desired bend line aligns with the contact point of the rollers.
 - Initial Bending:** The upper roller applies downward force, pressing the sheet against the lower roller. As the sheet comes into contact with the lower roller, the initial bending action begins.
 - Incremental Bending:** The sheet is gradually fed through the machine, and the rollers continue to apply pressure along the length of the bend. The material follows the curvature controlled by the lower roller.
 - Final Shape:** By adjusting the position of the lower roller and the feeding speed, the machine achieves the desired bend angle and shape.
- The working principle of the 2-roller bending machine ensures precise bending while minimizing deformation or damage to the material.

Special Bending Tools



Standard Specifications & Equipments

- ❑ Automatic operation with PLC.-Siemens.
- ❑ 7" Touch screen: Siemens.
- ❑ Memory: 100 Programs
- ❑ High Working Capacity (Serial Production).
- ❑ Bottom roll powered by hydromotor and planetary gearbox.
- ❑ Encoder positioning.
- ❑ Feeding table.
- ❑ Quick change mandrel.
- ❑ Easy operation with mobile control panel.
- ❑ Foot Pedal.
- ❑ CE Norm.

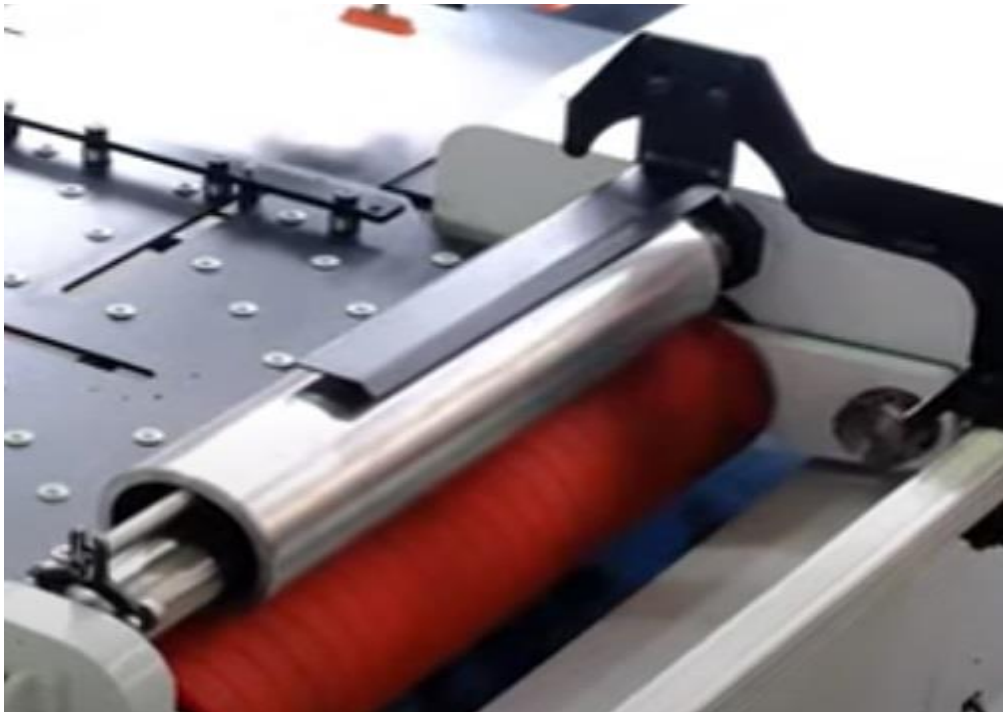
Optional Specifications & Equipments

- ❑ Overhead crane with Automatic ejector.
- ❑ Vacuum automatic loading
- ❑ Automatic Drive with alignment system
- ❑ Automatic Drive with alignment system
- ❑ Mandrel/ mandrel sleeves for different diameters.
- ❑ Light curta

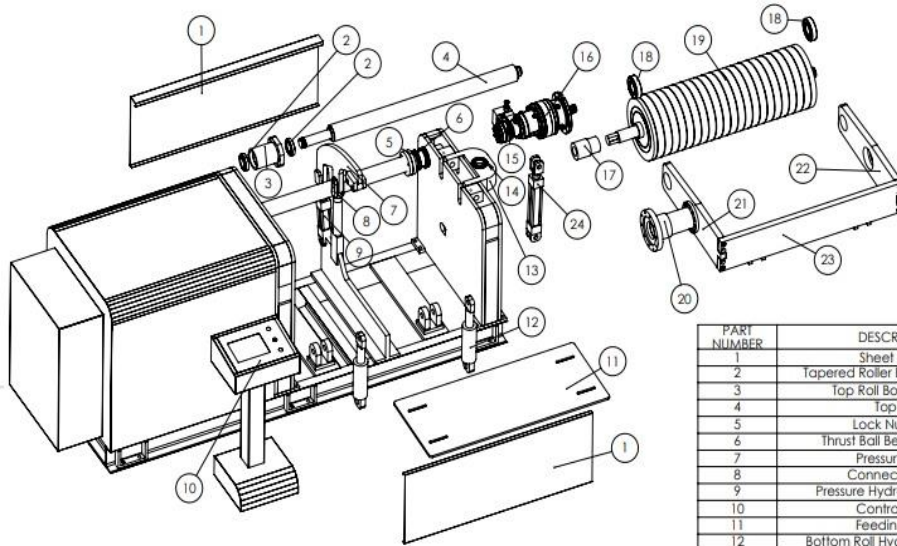
Light curtain



Overhead support crane



Quick change top roll



PART NUMBER	DESCRIPTION
1	Sheet Metal
2	Tapered Roller Bearings 301210
3	Top Roll Body Bearing
4	Top Roll
5	Lock Nut KM17
6	Thrust Ball Bearings 51116
7	Pressure Plate
8	Connection Fork
9	Pressure Hydraulic Cylinder
10	Control Panel
11	Feeding Plate
12	Bottom Roll Hydraulic Cylinder
13	Overtum Head
14	Spherical Roller Bearings 22210
15	Hydraulic Motor
16	Reducer
17	Coupler
18	Deep Groove Ball Bearings 6311
19	Polyurethane Bottom Roll
20	Reducer Fitting
21	Moving Bearing Component 1